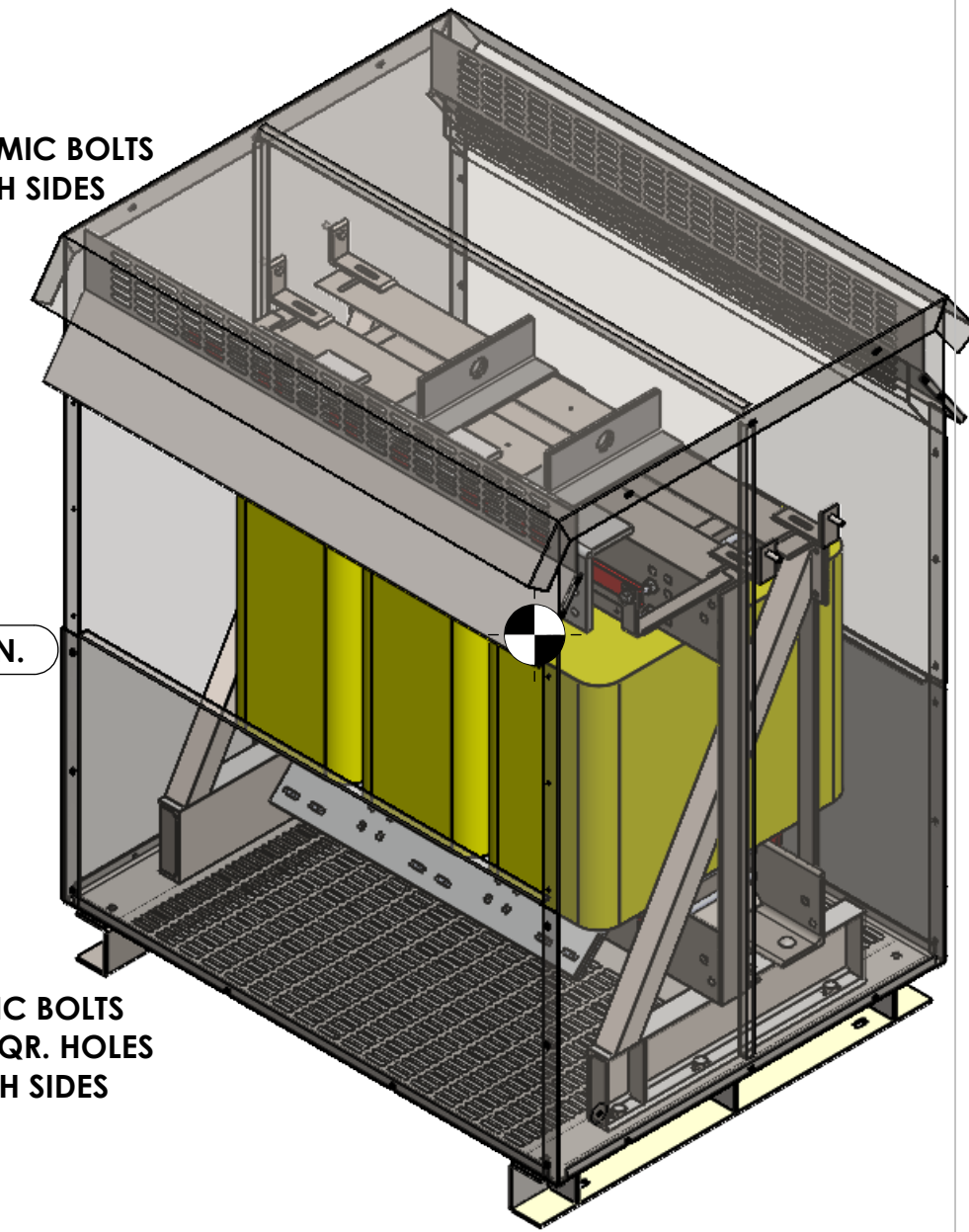


SEISMIC BOLTS
BOTH SIDES

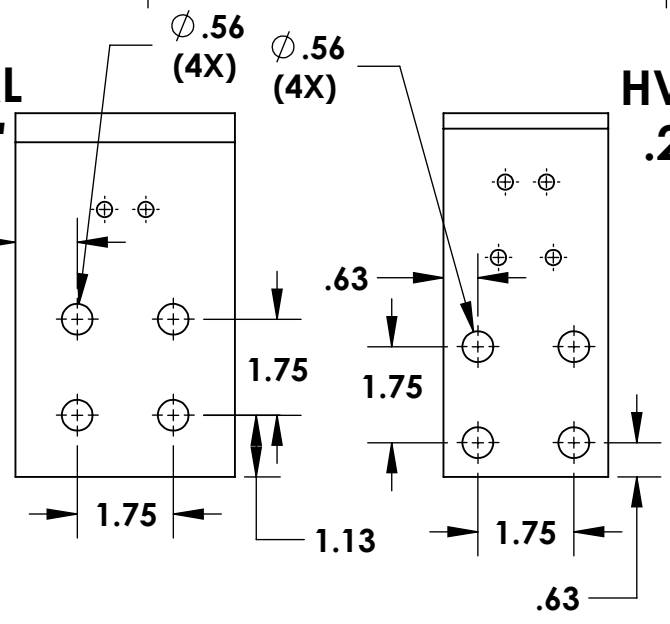
2.25 MIN.

SEISMIC BOLTS
17/32 SQR. HOLES
BOTH SIDES



LV TERMINAL
.50" X 4.00"

HV TERMINAL
.25" X 3.00"



REV	DATE	DESCRIPTION
G		UPDATED ENCLOSURE
F		LUGS REMOVED
E		INFO ADDED
D		ADDED MOUNTING HOLES SIZE AND CENTER OF GRAVITY HEIGHT
C		ADDED GRAVITY CENTER AND SEISMIC BOLT NOTE
B		DEPHT DIMENSION ADDED
A		INITIAL RELEASE
MO		

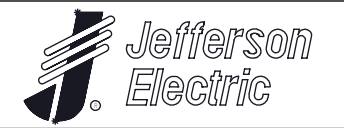
FINISH:

DRAWN DATE
CHECKED DATE

TOLERANCES UNLESS OTHERWISE SPECIFIED	
2-PL	± .02
3-PL	± .005
HOLES	± .030
ANGLES	± 1°
REMOVE ALL BURRS	
SCALE	NTS

DRAWN BY	AS
CHK'D BY	RZ

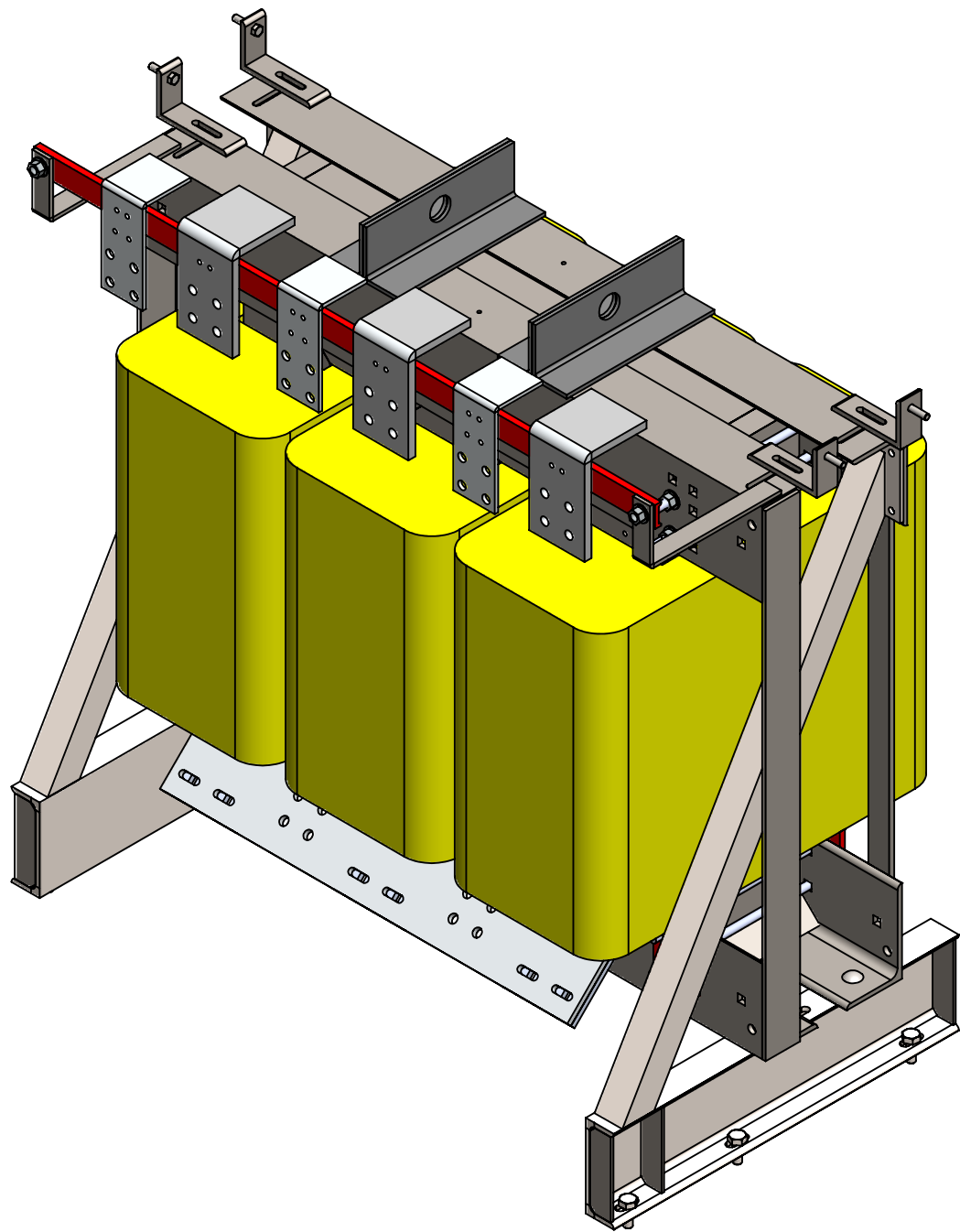
WEIGHT:



**OVERALL ASSYMBLY
500KVA TRANSFORMER
48" ENCL.**

1 OF 2

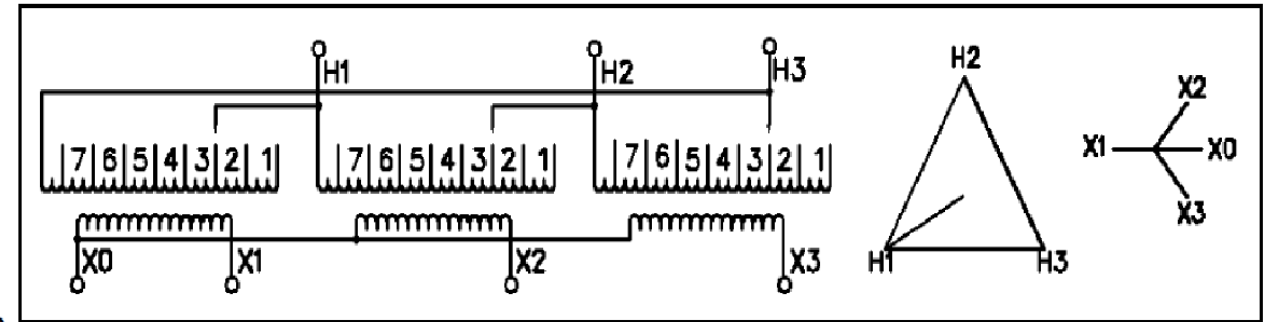
PART NO.
423-9344-000



kVA 500
Phase 3
Hz 60
%IZ 5.3
Rise 150 °C
Ins. Class 220 °C
Weight 3160 lbs
Class AA
Wdg. Mtl. Al

High Voltage: 480 Delta

Low Voltage: 208Y/120



High Voltage: Lines on H1, H2, H3

Connect	1	2	3	4	5	6	7
Volts	504	492	480	468	456	444	432

Low Voltage: Lines on X1-X2-X3

Line - Line	Line - Neutral
208 V	120 V

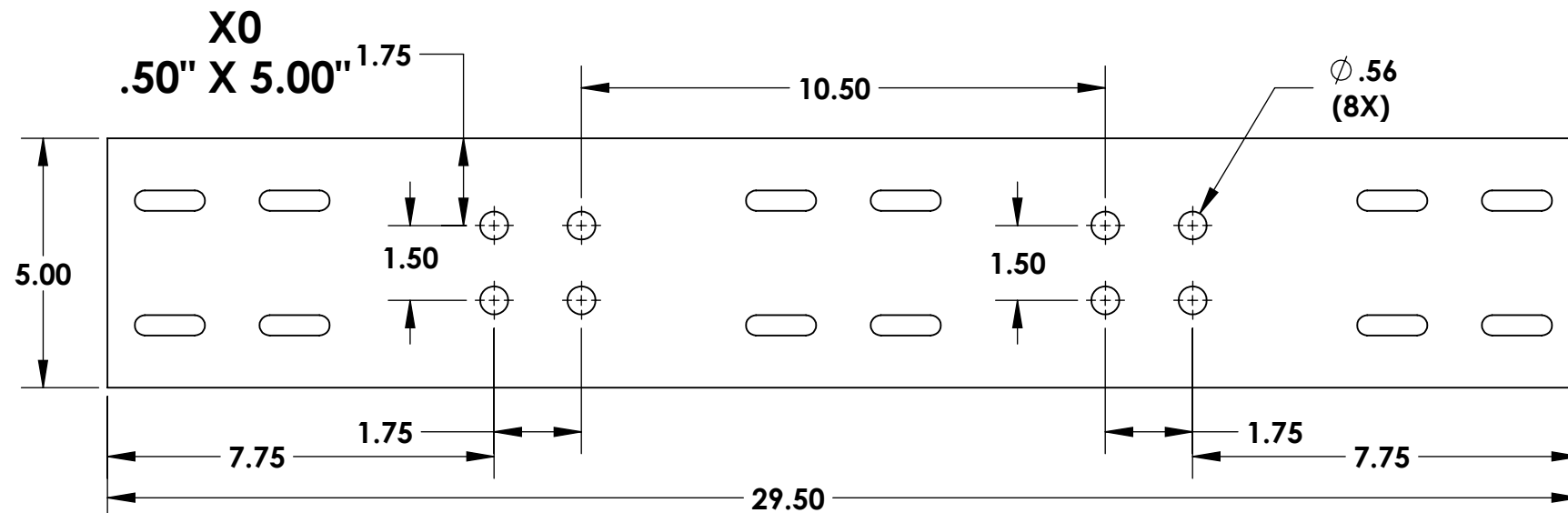
SEISMIC
QUALIFIED to IBC, CBC
SDS=2.00g, z/h=1.0, 1p=1.5
Rigid Floor Mounted
OSHPOD OSP-0109-10

423 Series

Meets DOE-2016
Efficiency

Outdoor Type 3R

NOTE:
MINIMUM EFFICIENCY (35%) = 99.13
SOUND = 55db MAX.
PRIMARY AND SECONDARY MEETS
10KV BIL



FINISH:		TOLERANCES UNLESS OTHERWISE SPECIFIED		Jefferson Electric
		2-PL ± .02		
		3-PL ± .005		
		HOLES ± .030		
		ANGLES ± 1°		OVERALL ASSYMBLY 500KVA TRANSFORMER 48" ENCL.
		REMOVE ALL BURRS		
SCALE		NTS		
DRAWN DATE		DRAWN BY		
		AS		
CHECKED DATE		CHK'D BY		
		RZ		SHEET
				2 OF 2
WEIGHT:		PART NO.		REV.
		423-9344-000		G